



**Anchor Danly  
Punchrite®**

**TRUSTED SOLUTIONS AND INNOVATION**

# RETAINERS

## Ball Lock Series



RELY ON  
ANCHOR DANLY  
FOR...

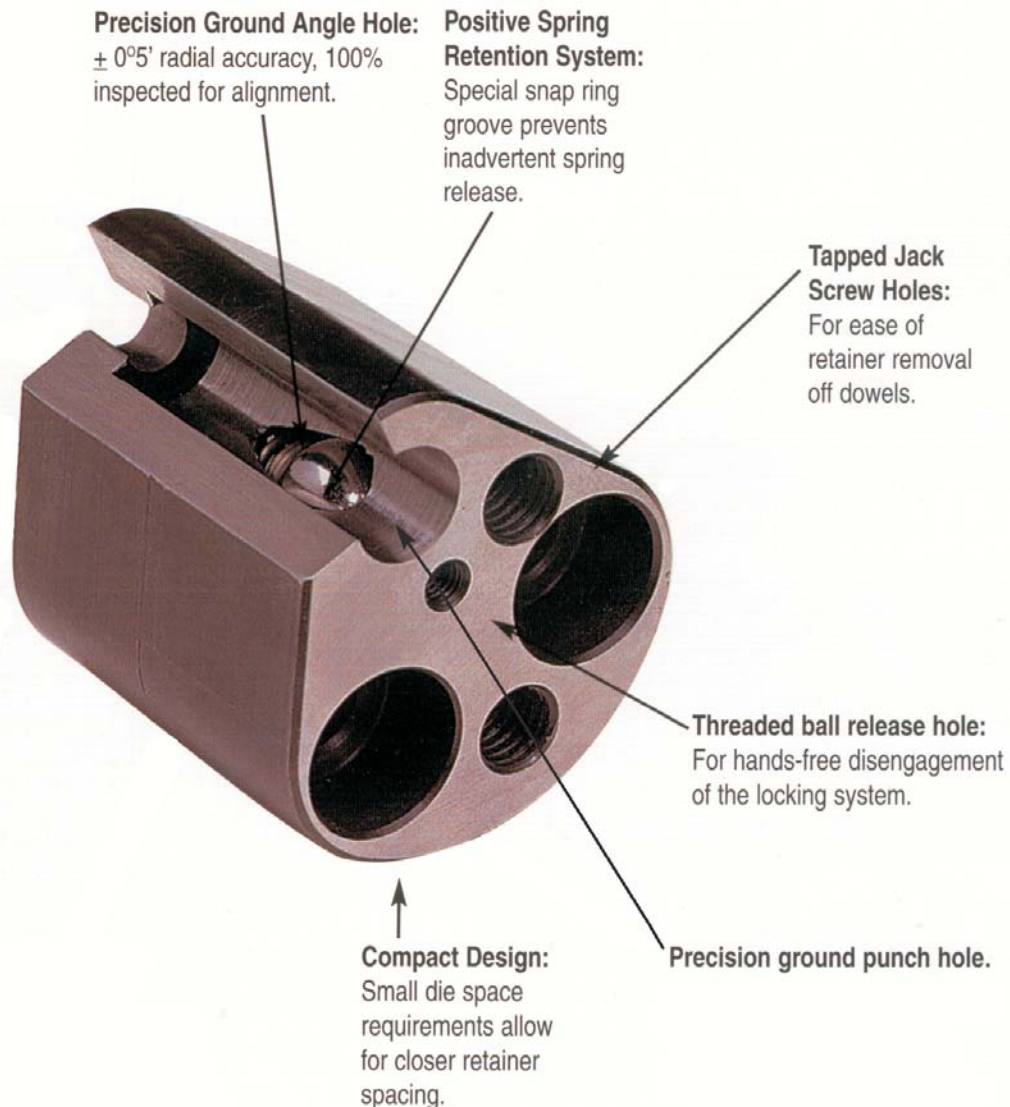
- ◆ QUICK DELIVERY
- ◆ CONSISTENT QUALITY
- ◆ TOTAL CUSTOMER SUPPORT
- ◆ QUICK QUOTES ON SPECIALS

## Standard Retainers

### Standard Features:

- Same Day Shipment
- Available in English or Metric
- Available in Light or Heavy Duty
- Interchangeability with Other In-Line Dowel Brands

**ANCHOR DAILY PUNCHRITE** retainers are interchangeable with all competing brands and conform to NAPMA, NAAMS and Automotive standards. **PUNCHRITE** can supply high-quality retainers at an affordable price.





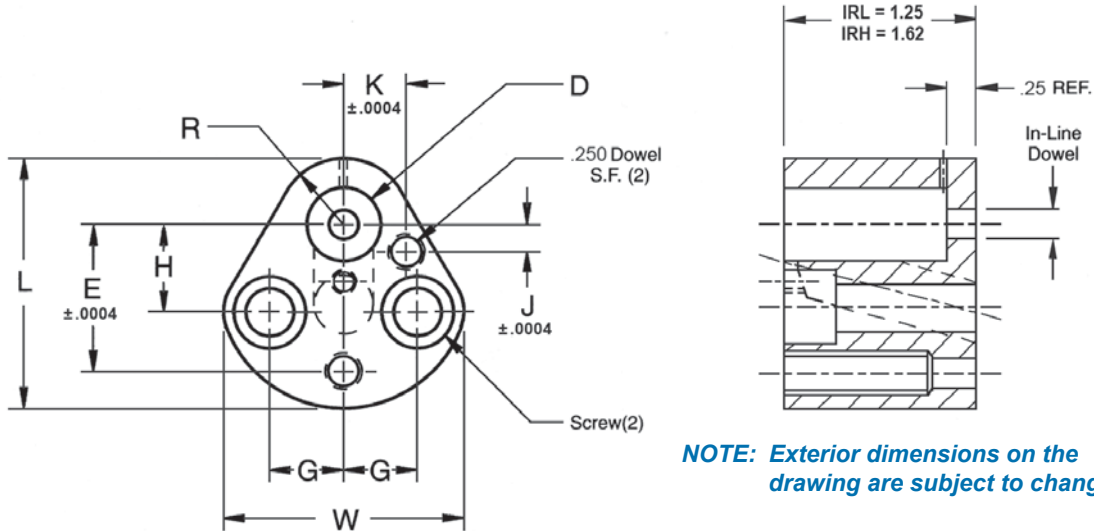
## Light & Heavy Duty

**Material:** High alloy tool steel  
**Hardness:** Rockwell "C"

**How to order:**  
**Please specify:** Quantity and catalog number.

**NOTE:**

1. All dimensions are +.016, unless otherwise specified.
2. Retainers must check to USA standard gages.



**NOTE:** Exterior dimensions on the drawing are subject to change.

## LBR RETAINERS

Catalog Number	D	L	W	R	H	J	K	G	E	In-Line Dowel	Screw Size
LBR-25	.250	1.75	1.57	.38	.750	.2953	.3543	.438	1.060	.1250	5/16-18
LBR-38	.375	1.75	1.57	.38	.750	.2953	.3543	.438	1.060	.1875	5/16-18
LBR-50	.500	2.00	1.90	.50	.750	.2559	.4724	.562	1.180	.2500	3/8-16
LBR-63	.625	2.12	2.03	.56	.750	.2362	.5315	.625	1.250	.2500	3/8-16
LBR-75	.750	2.37	2.29	.69	.750	.1969	.6496	.688	1.320	.2500	3/8-16
LBR-87	.875	2.50	2.42	.75	.750	.1969	.7283	.688	1.400	.2500	3/8-16
LBR-100	1.000	2.75	2.62	.88	.938	.2756	.8661	.781	1.600	.2500	1/2-13

## HBR RETAINERS

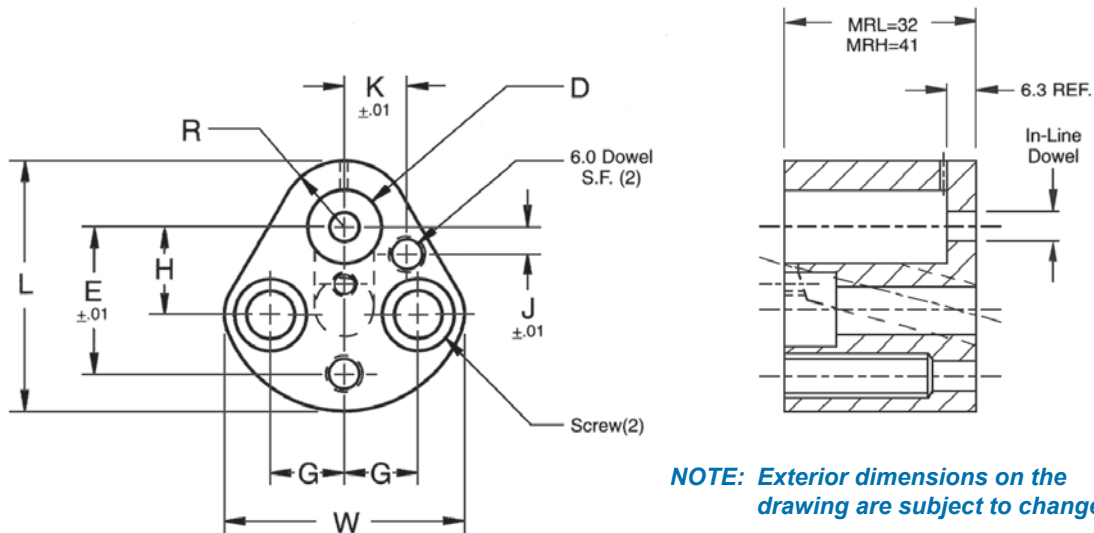
Catalog Number	D	L	W	R	H	J	K	G	E	In-Line Dowel	Screw Size
HBR-38	.375	1.75	1.57	.38	.750	.2953	.3543	.438	1.060	.1875	5/16-18
HBR-50	.500	2.00	1.90	.50	.750	.2559	.4724	.562	1.180	.2500	3/8-16
HBR-63	.625	2.12	2.03	.56	.750	.2362	.5315	.625	1.250	.2500	3/8-16
HBR-75	.750	2.37	2.29	.69	.750	.1969	.6496	.688	1.320	.2500	3/8-16
HBR-87	.875	2.50	2.42	.75	.750	.1969	.7283	.688	1.400	.2500	3/8-16
HBR-100	1.000	2.75	2.62	.88	.938	.2756	.8661	.781	1.600	.2500	1/2-13
HBR-125	1.250	2.75	2.62	.88	.938	.2756	.8661	.781	1.600	.2500	1/2-13

## Light & Heavy Duty

**Material:** High alloy tool steel  
**Hardness:** Rockwell "C"

**How to order:**  
**Please specify:** Quantity and catalog number.  
**NOTE:**

1. All dimensions are +.25, unless otherwise specified.
2. Retainers must check to USA standard gages.



**NOTE:** Exterior dimensions on the drawing are subject to change.

## MLBR RETAINERS

Catalog Number	D	L	W	R	H	J	K	G	E	In-Line Dowel	Screw Size
MLBR-6	06	41.3	37.8	8.0	19.0	9.0	8.0	11.1	23.000	3.0	M6
MLBR-10	10	44.5	39.9	9.5	19.0	7.5	9.0	11.1	26.924	6.0	M8
MLBR-13	13	50.8	48.3	12.7	19.0	6.5	12.0	14.3	29.972	6.0	M8
MLBR-16	16	54.0	51.6	14.3	19.0	6.0	13.5	15.9	31.750	6.0	M8
MLBR-20	20	60.3	58.2	17.5	19.0	5.0	16.5	17.5	33.528	6.0	M10
MLBR-25	25	69.9	66.5	22.2	23.8	7.0	22.0	19.8	40.640	6.0	M12

## MHBR RETAINERS

Catalog Number	D	L	W	R	H	J	K	G	E	In-Line Dowel	Screw Size
MHBR-10	10	44.5	39.9	9.5	19.0	7.5	9.0	11.1	26.924	6.0	M8
MHBR-13	13	50.8	48.3	12.7	19.0	6.5	12.0	14.3	29.972	6.0	M8
MHBR-16	16	54.0	51.6	14.3	19.0	6.0	13.5	15.9	31.750	6.0	M8
MHBR-20	20	60.3	58.2	17.5	19.0	5.0	16.5	17.5	33.528	6.0	M10
MHBR-25	25	69.9	66.5	22.2	23.8	7.0	22.0	19.8	40.640	6.0	M12
MHBR-32	32	69.9	66.5	22.2	23.8	7.0	22.0	19.8	40.640	6.0	M12